



# M-POWER-5T

## AC POWER & DATA CONNECTIVITY SOLUTION

M-POWER-5TW-AMAH12-BRB

Distributed by



Mormax Company, Inc.

8 Westchester Plaza

Elmsford, NY 10523

914-699-0101

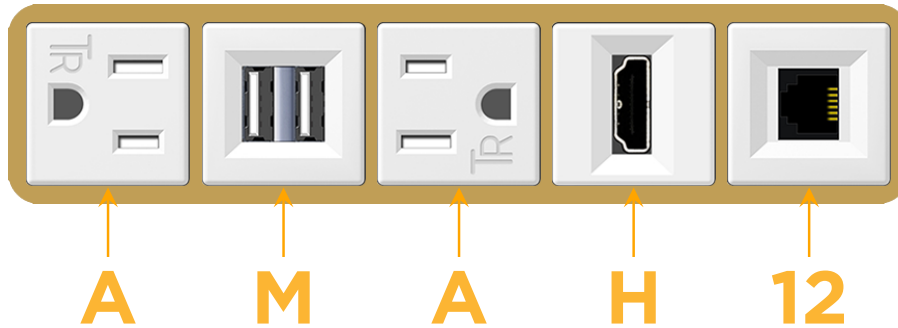
sales@mormax.com

mormax.com

Metro Light & Power's line of power & data solutions offers sophisticated design elements combined with greater ease of installation. Streamlined and low-profile, enhanced by side-exiting cords, our outlets advance the industry with their cutting edge look and feel. We believe flexibility is key, and we provide a variety of mounting options, including the ability to mount in limited spaces. Our outlets are available in many finishes and configurations, in addition to a custom color and finish capability for our clients.

Bezel Finish: **SOLID BRASS**

Custom Finishes Available M-POWER-5TW-AMAH12-BRB



Features:

### Module/Port Options:

- A Tamper Resistant AC Receptacle
- E USB-A & USB-C (20W)
- M Double USB-A (Fast Charging Ports - 18W)
- H HDMI
- 6 CAT 6
- 12 RJ 12
- X Switched AC
- Y 3-Way Switch (Low Voltage)
- V USB-C (45W High Speed Charging Port)
- S USB-C (25W High Speed Charging Port)
- R Switched AC (Rocker Switch)
- D Dimmer Switch

### Plug:

- Supplied with Low Profile Flat 45° Angle 120 VAC Plug
- Optional Standard Straight 120 VAC Plug
- Optional Straight 120 VAC Pass-through Plug

- CLEAN, COMPACT DESIGN
- STREAMLINED
- LOW PROFILE
- SIDE-EXITING CORDS
- PLUG & PLAY
- 6' AC CORD & PLUG (FLAT PLUG STANDARD)
- CUSTOMIZABLE CONFIGURATIONS AND FINISHES
- UL LISTED FOR MOUNTING IN FURNITURE
- 15A



# M-POWER-5T

AC POWER & DATA CONNECTIVITY SOLUTION

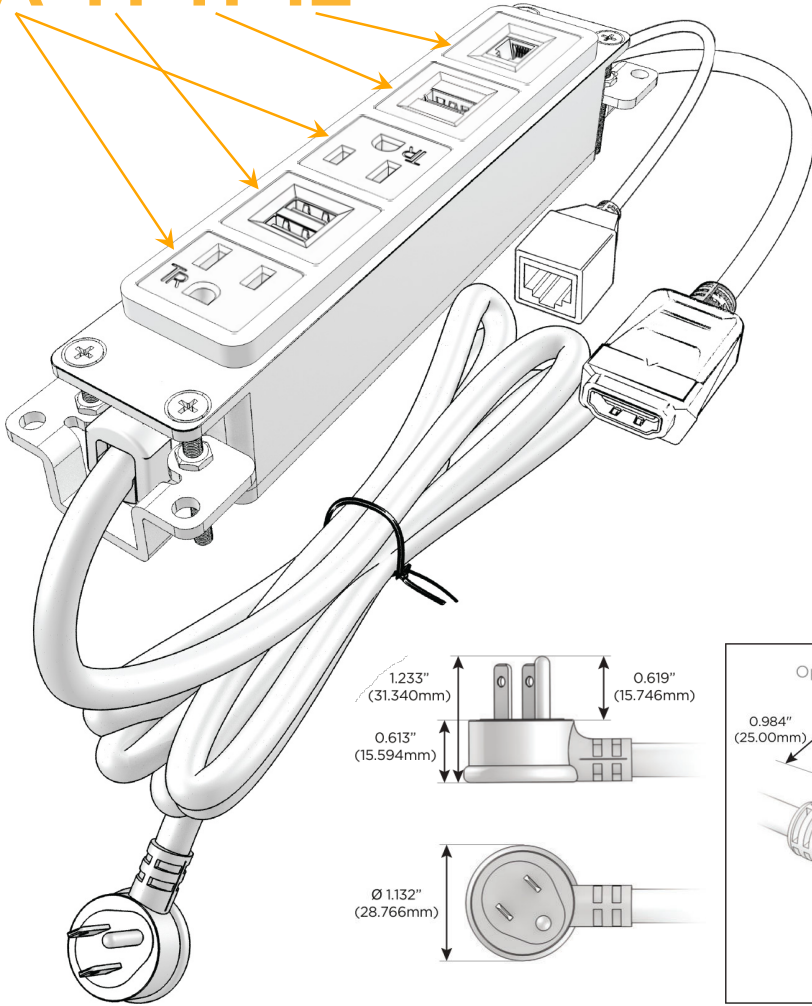
M-POWER-5TW-AMAH12-BRB

Specs:

**Modules/Ports:**

- A** Tamper Resistant AC Receptacle
- M** Double USB-A (Fast Charging Ports - 18W)
- H** HDMI
- 12** RJ 12

**A M H 12**



Distributed by



Mormax Company, Inc.

8 Westchester Plaza

Elmsford, NY 10523

914-699-0101

sales@mormax.com

mormax.com

TOP

