



# M-POWER-4T

## AC POWER & DATA CONNECTIVITY SOLUTION

M-POWER-4T-ASRY-SAB(2)

Distributed by



Mormax Company, Inc.

8 Westchester Plaza

Elmsford, NY 10523

914-699-0101

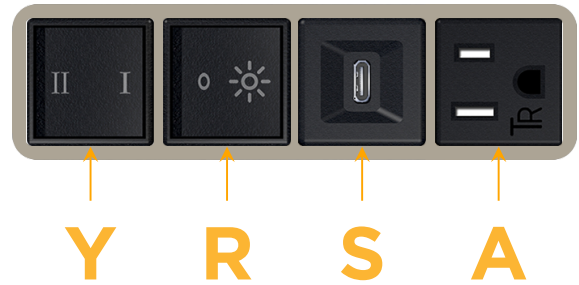
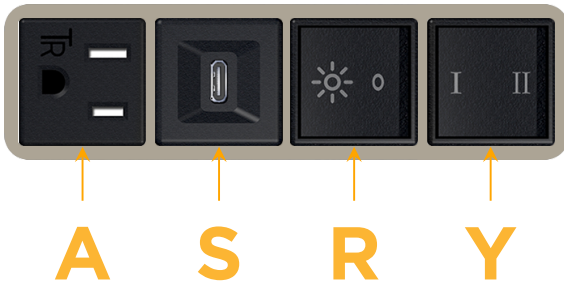
sales@mormax.com

mormax.com

Metro Light & Power's line of power & data solutions offers sophisticated design elements combined with greater ease of installation. Streamlined and low-profile, enhanced by side-exiting cords, our outlets advance the industry with their cutting edge look and feel. We believe flexibility is key, and we provide a variety of mounting options, including the ability to mount in limited spaces. Our outlets are available in many finishes and configurations, in addition to a custom color and finish capability for our clients.

Bezel Finish: **SATIN NICKEL (ABS)**

Custom Finishes Available M-POWER-4T-ASRY-SAB(2)



Features:

### Module/Port Options:

- A** Tamper Resistant AC Receptacle
- E** USB-A & USB-C (20W)
- M** Double USB-A (Fast Charging Ports - 18W)
- H** HDMI
- 6** CAT 6
- 12** RJ 12
- X** Switched AC
- Y** 3-Way Switch (Low Voltage)
- V** USB-C (45W High Speed Charging Port)
- S** USB-C (25W High Speed Charging Port)
- R** Switched AC (Rocker Switch)
- D** Dimmer Switch

### Plug:

Supplied with Low Profile Flat 45° Angle 120 VAC Plug

Optional Standard Straight 120 VAC Plug

Optional Straight 120 VAC Pass-through Plug

- CLEAN, COMPACT DESIGN
- STREAMLINED
- LOW PROFILE
- SIDE-EXITING CORDS
- PLUG & PLAY
- 6' AC CORD & PLUG (FLAT PLUG STANDARD)
- CUSTOMIZABLE CONFIGURATIONS AND FINISHES
- UL LISTED FOR MOUNTING IN FURNITURE
- 15A



**UL LISTED AND APPROVED FOR USE ONLY WITH METRO LIGHT & POWER'S UL LISTED LEDS & CLASS 2 UL LISTED LED DRIVERS**



# M-POWER-4T

## AC POWER & DATA CONNECTIVITY SOLUTION

M-POWER-4T-ASRY-SAB(2)

Distributed by



Mormax Company, Inc.

8 Westchester Plaza

Elmsford, NY 10523

914-699-0101

sales@mormax.com

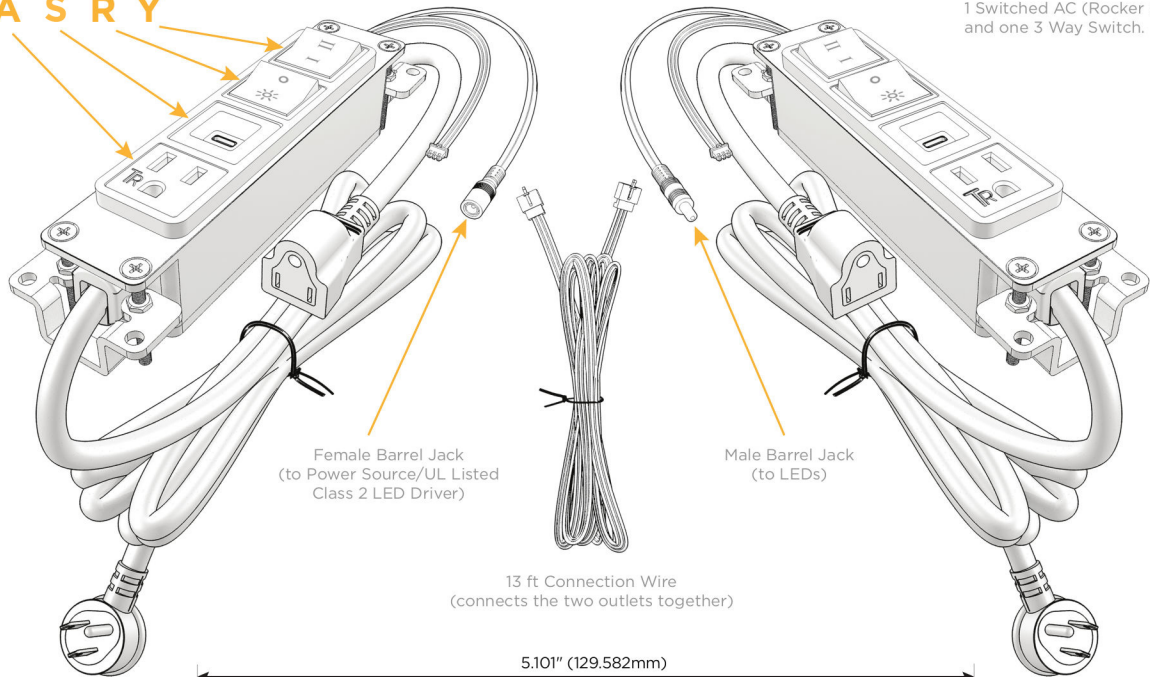
mormax.com

Specs:

**Modules/Ports:**

- A** Tamper Resistant AC Receptacle
- S** USB-C (25W High Speed Charging Port)
- R** Switched AC (Rocker Switch)
- Y** 3-Way Switch

**A S R Y**



Shown with 1 Tamper Resistant AC, 1 USB-C Charging Port, 1 Switched AC (Rocker Switch), and one 3 Way Switch.

Female Barrel Jack  
(to Power Source/UL Listed  
Class 2 LED Driver)

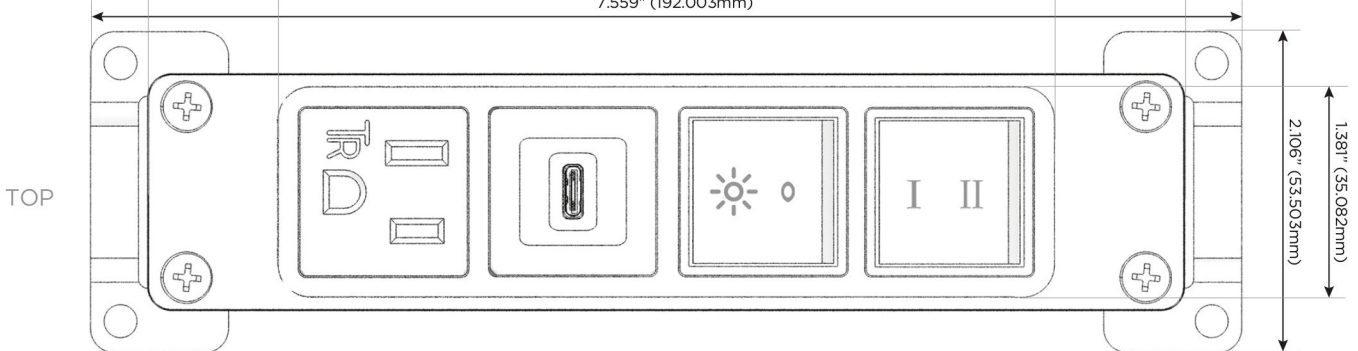
Male Barrel Jack  
(to LEDs)

13 ft Connection Wire  
(connects the two outlets together)

5.101" (129.582mm)

6.811" (173.000mm)

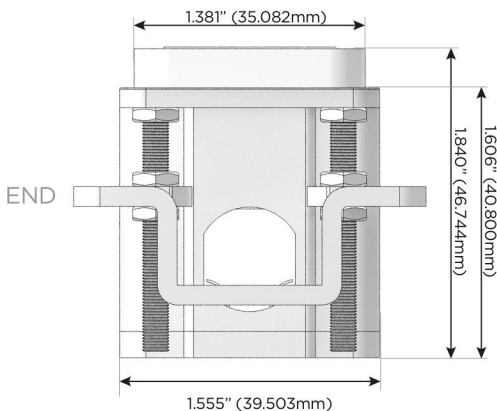
7.559" (192.003mm)



TOP

2.106" (53.503mm)

1.381" (35.082mm)



END

1.381" (35.082mm)

1.606" (40.800mm)  
1.840" (46.744mm)

1.555" (39.503mm)

0.234" (5.944mm)

0.118" (3.000mm)

SIDE

0.905" (23.000mm)