



M-POWER-3T

AC POWER & DATA CONNECTIVITY SOLUTION

M-POWER-3T-AE12-BADH

Distributed by



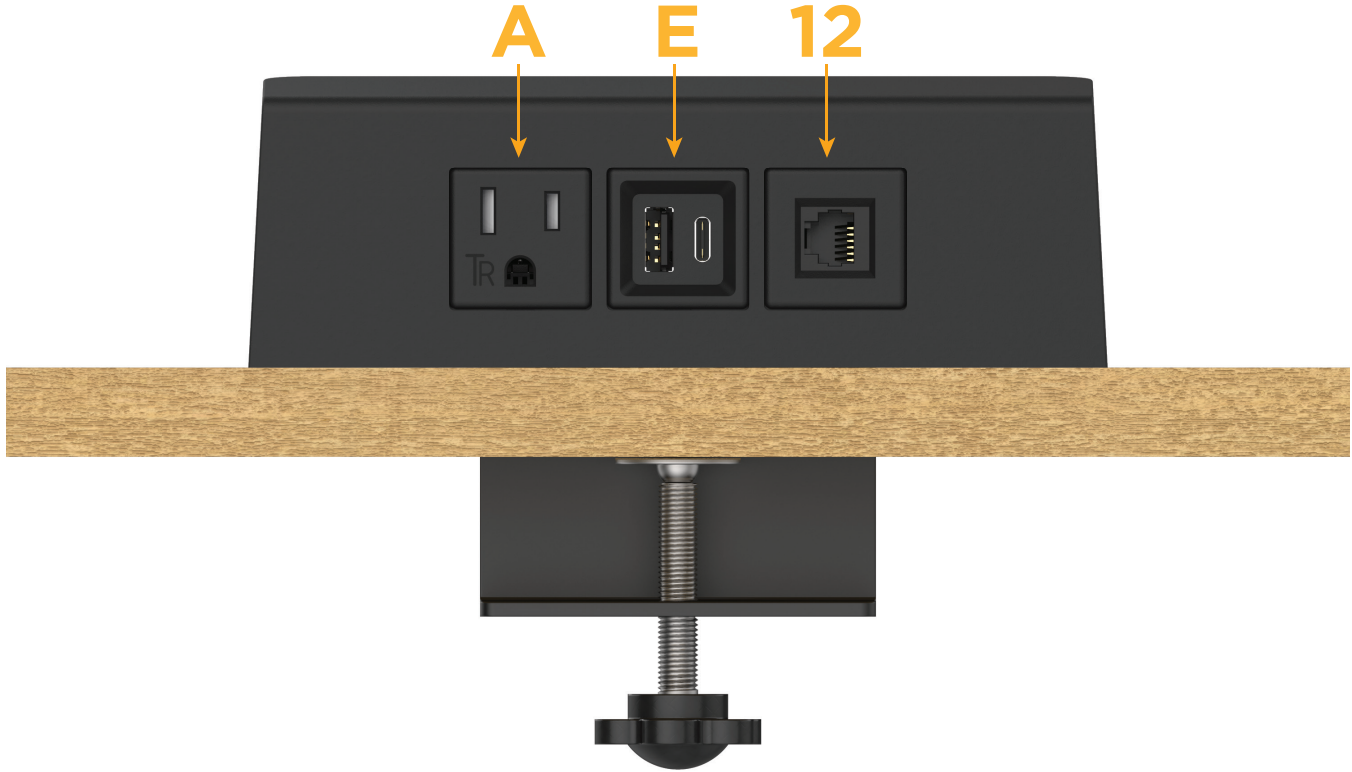
Mormax Company, Inc. 914-699-0101
8 Westchester Plaza sales@mormax.com
Elmsford, NY 10523 mormax.com

Metro Light & Power's line of power & data solutions features sophisticated design elements combined with ease of installation. Streamlined and compact, our range of desktop power & data hubs advances the state of the industry with their cutting edge look and feel. Our full line of power & data units is available in many finishes and configurations, in addition to a custom color and finish capability for our clients.

Desktop Hub Finish: **BLACK (ABS)**

Custom Finishes Available

M-POWER-3T-AE12-BADH



Features:

Module/Port Options:

- A** Tamper Resistant AC Receptacle
- E** USB-A & USB-C (20W)
- M** Double USB-A (Fast Charging Ports - 18W)
- H** HDMI
- 6** CAT 6
- 12** RJ 12
- X** Switched AC
- Y** 3-Way Switch (Low Voltage)
- V** USB-C (45W High Speed Charging Port)
- S** USB-C (25W High Speed Charging Port)
- R** Switched AC (Rocker Switch)

Plug:

- Supplied with Low Profile Flat 45° Angle 120 VAC Plug
- Optional Standard Straight 120 VAC Plug
- Optional Straight 120 VAC Pass-through Plug

- CLEAN, COMPACT DESIGN
- STREAMLINED
- QUICK, EASY INSTALLATION
- REAR-EXITING CORDS
- PLUG & PLAY
- 6' AC CORD & PLUG (FLAT PLUG STANDARD)
- CUSTOMIZABLE CONFIGURATIONS AND FINISHES
- UL LISTED FOR MOUNTING IN FURNITURE
- 15A





M-POWER-3T

AC POWER & DATA CONNECTIVITY SOLUTION

M-POWER-3T-AE12-BADH

Distributed by



Mormax Company, Inc. 914-699-0101
8 Westchester Plaza sales@mormax.com
Elmsford, NY 10523 mormax.com

Specs:

Modules/Ports:

- A Tamper Resistant AC Receptacle
- B USB-A & USB-C (20W)
- 12 RJ 12

