



MORMAX



loc-n-go series

Mormax offers two options to provide your guests maximum security during their stay. Whether it is a physical safe with a digital display screen or furniture mounted locks, we've got you covered.

www.mormax.com

loc-n-go

Offering both shared and designated use capabilities, loc-n-go provides flexible storage options that easily adjust to your client's changing needs. As our most versatile lock, it ensures enhanced and simplified security for any storage solution.

Blending superior construction with state-of-the-art security elements, loc-n-go adapts seamlessly to the most demanding settings. Easy to manage and intuitive, our locking solutions transform spaces, boosting flexibility and encouraging collaboration.

Key Features

- 5 Color Options
- 5 Year Estimated Battery Life
- Life Time Product Support
- Slim Profile
- All Metal Housing
- Vertical & Horizontal Orientations
- Multiple Latching Options



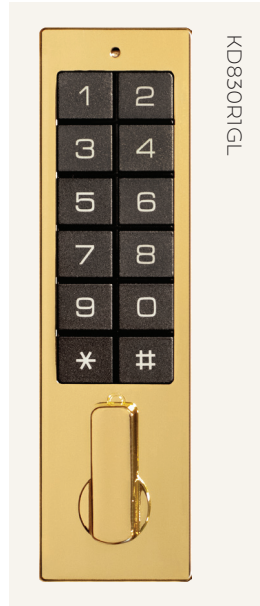
loc-n-go Styles & Colors



KD830R1SN



KD830R1SA



KD830R1GL



KD830R1BC



KD830R1BK



KD930R1SN



KD930R1SA



KD930R1GL



KD930R1BC



KD930R1BK

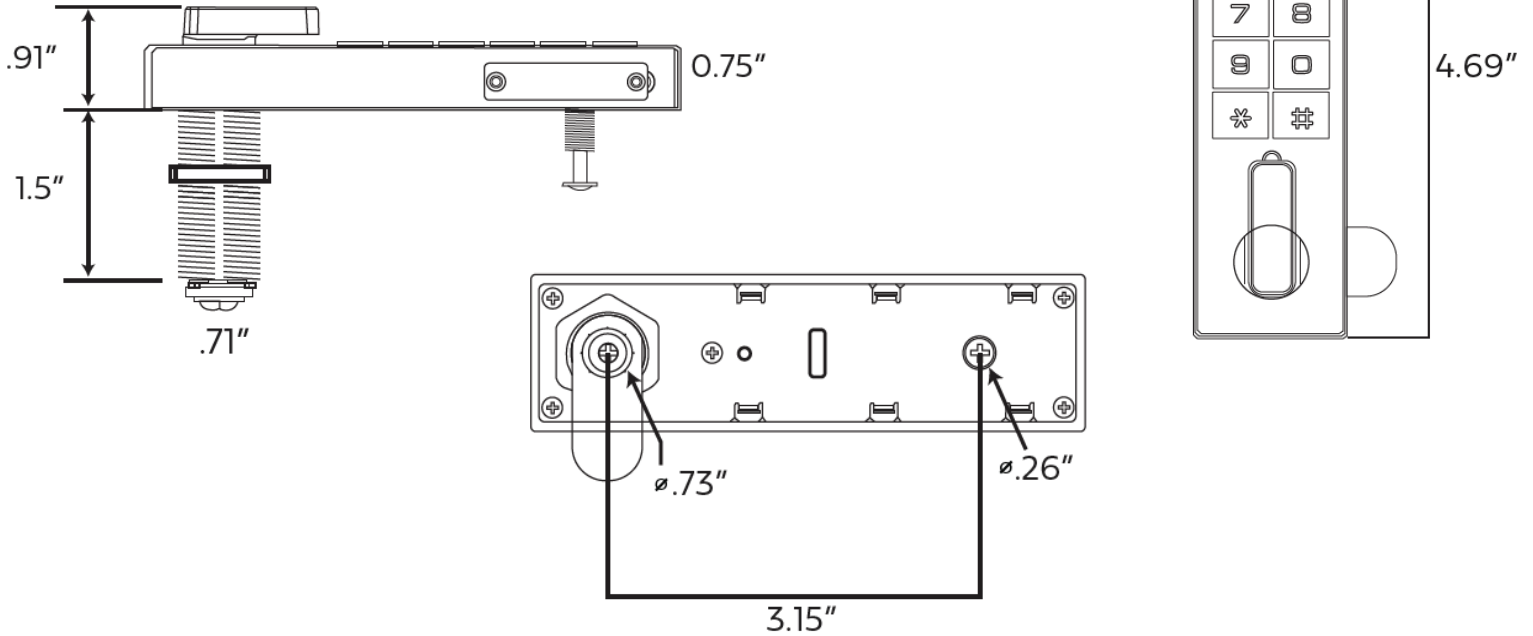
loc-n-go series was designed to fit the ever changing hospitality needs. With its compact design and range of colors, they are able to seamlessly blend into any hotel room. The color options consists of black, satin nickel, special antiqued, gold and brushed copper.

All loc-n-gos are equipt with a master usb which will allow your management to have full control over these locks and help any guests that might be in a bind.

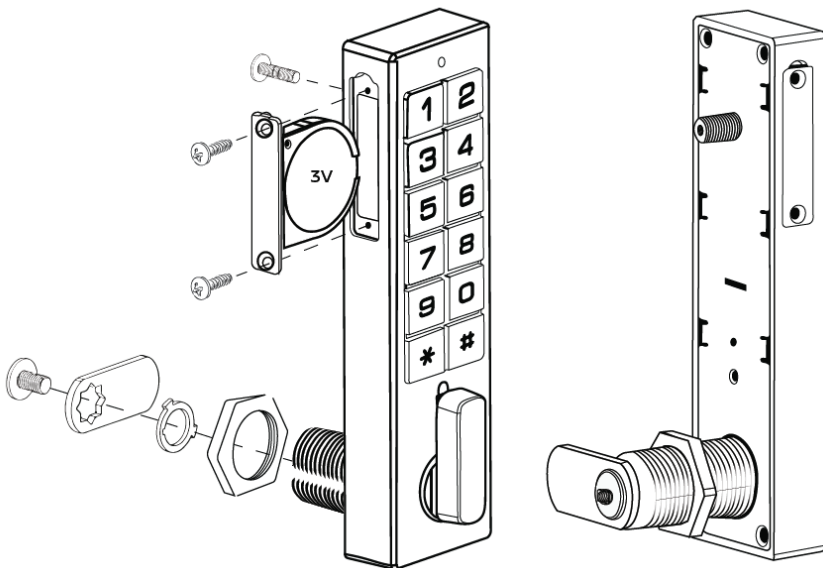


Product Dimensions & Installation

- Designed for both new or retrofit installations
- Adaptable to various materials and thicknesses
- 90° or 180° lever rotation, clockwise or counter-clockwise to unlock- remove
- Easily retrofits by replacing mechanical lock cores



Battery Installation & Replacement



The lock is provided with a 3V lithium cell battery. The battery is isolated by a sheet to avoid battery consumption during transportation. For initial use, employ a small Phillips head screwdriver to loosen the two screws from the battery holder, then remove the isolation tab to establish a connection for the battery. Tighten the battery component screws back into the lock and your lock will be fully functioning.



loc-n-go safe

Secure, reliable, and easy to use—Mormax introduces the loc-n-go safe, designed to meet the growing demand for hotel room security. These safes feature a customizable 4-6-digit guest code, a manager override, and an LED display for easy operation. The interior accommodates valuables such as 15" laptops, providing peace of mind for guests. Built for durability and frequent use, the loc-n-go safe offers a dependable solution.





LNG-BE001

6 digit manager code to set by hotel manager
Accommodate 15" laptop
Product Dimensions:
14.96"W x 16.54"D x 7.87"H
Available Colors:
Black/White/Gray



LNG-BE002

6 digit manager code to set by hotel manager
Accommodate 15" laptop
Product Dimensions:
14.96"W x 16.54"D x 7.87"H
Available Colors:
Black/White/Gray



LNG-BE003

6 digit manager code to set by hotel manager
Accommodate 15" laptop
Product Dimensions:
14.96"W x 16.54"D x 7.87"H
Available Colors:
Black/White/Gray



LNG-BE800

6 digit manager code to set by hotel manager
Accommodate 15" laptop
Product Dimensions:
14.96"W x 16.54"D x 7.87"H
Available Colors:
Black/White/Gray



LNG-BE200

6 digit manager code to set by hotel manager
Accommodate 15" laptop
Product Dimensions:
13.77"W x 9.84"D x 9.84"H
Available Colors:
Black/White/Gray



LNG-DR001

6 digit manager code to set by hotel manager
Accommodate 15" laptop
Product Dimensions:
18.89"W x 15.55"D x 9.05"H
Available Colors:
Black/White/Gray



LNG-DR002

6 digit manager code to set by hotel manager
Accommodate 15" laptop
Product Dimensions:
18.89"W x 15.55"D x 9.05"H
Available Colors:
Black



LNG-FGM001

6 digit manager code to set by hotel manager
Accommodate 15" laptop
Product Dimensions:
15.7"W x 13.77"D x 5.7"H
Available Colors:
Black/White/Gray



LNG-BE800

6 digit manager code to set by hotel manager
Accommodate 15" laptop
Product Dimensions:
14.96"W x 16.54"D x 7.87"H
Available Colors:
Black/White/Gray



LNG-BE002H

6 digit manager code to set by hotel manager
Accommodate 15" laptop
Product Dimensions:
13.74"W x 6.49"D x 16.49"H
Available Colors:
Black/White/Gray

All loc-n-go safes are requipt with enhanced LED display with personalized 4-6 digit guest user code. There are four ways to open the safe - guest code, manager code, emergency key and CEU (Handheld unit). The CEU handheld device is an emergency power supply for the safe. It reads the data of the safe and decodes it when the password is lost. Each CEU device is available to purchase with any loc-n-go safe.



DT-01

Handheld device

Color: Gray

Size: W152xD86xH34mm

Suitable for model of safe:K-BE001,K-BE002,K-BE003,K-FG005B,K-FGM001,K-DR001



DT-02

Handheld device

Color: Black

Size: W130xD64xH28mm

Suitable for model of safe:K-BE800,K-BE200,K-BE200M,K-FGM600,K-DR200





MORMAX

CONTACT US

8 Westchester Plaza

Suite 135

Elmsford, NY 10523

914-699-0101

sales@mormax.com

www.mormax.com