



M-SENSOR-PIR-4

RECESSED PIR SENSOR FOR CLOSETS & CABINETS

Distributed by



Mormax Company, Inc. 914-699-0101
 8 Westchester Plaza sales@mormax.com
 Elmsford, NY 10523 mormax.com

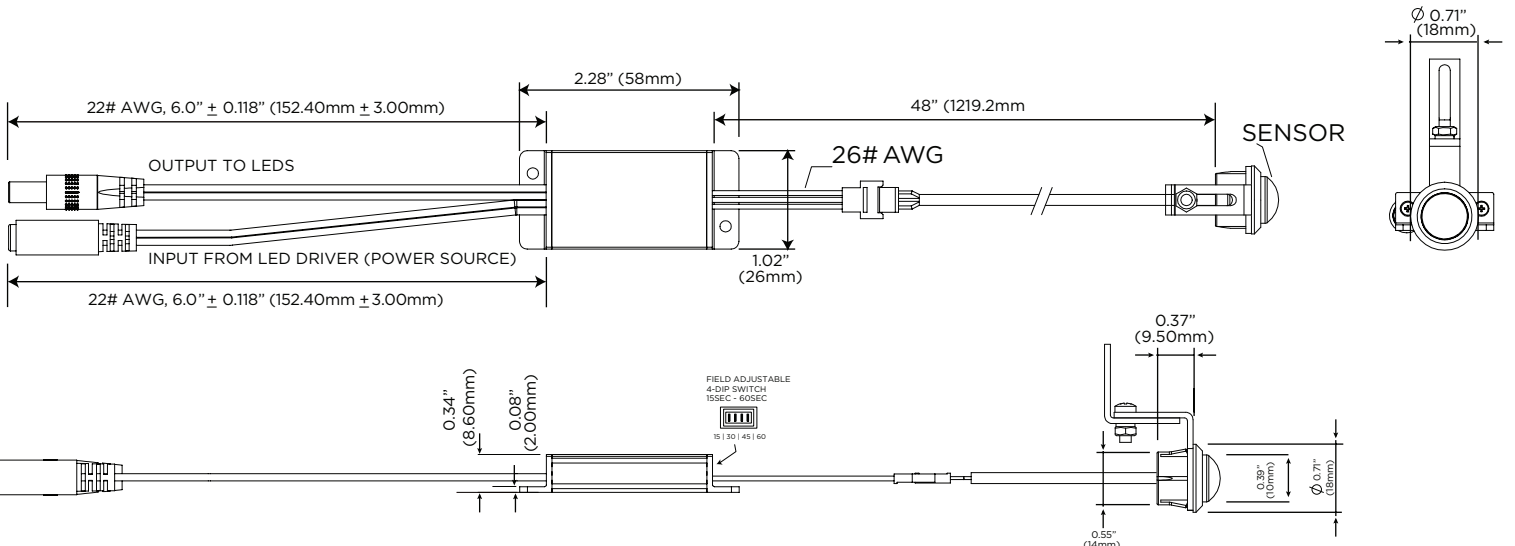
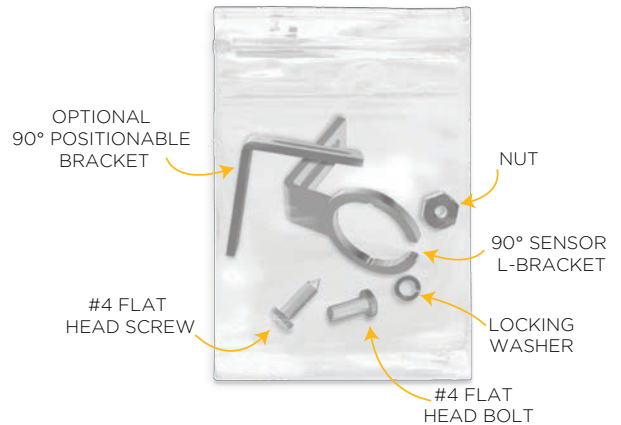
Our PIR Sensors detect motion at a distance of up to 2.0m (6.56FT) at a 40° angle. Perfect for closets, or for under counter (e.g., vanity) and bed bases as a night light. For use with any of our Linear LEDs, M-LINEAR Fixtures, and M-DRIVER Power Supplies.

Features:

Output Voltage	24 V DC
Maximum Power Load:	25W
Output Power	Max 96W
Input Voltage	24V
Input Current	4.0A max
Detection Methods	Dual passive infrared rectangle
Detecting Range	2m, and 40°
Operation Temperature	-20°C-40°C
Sensor Length	0.59" (15.00mm)
Sensor Width	0.71" (18.00mm)
Sensor Height	0.71" (18.00mm)
Materials	ABS + Plastic
CONTROL BOX:	
Length	2.48" (63.00mm)
Width	1.1" (28mm)
Height	0.67" (17mm)

- RANGE UP TO 2M AND 40°
- DUAL PASSIVE INFRARED SENSOR SWITCH
- MOUNTING HARDWARE ALLOWS FOR POSITIONING - MULTIPLE WAYS
- FACTORY ADJUSTABLE "ON TIME", FROM 5S TO 60s ONCE ACTIVATED
- 4FT LEAD WIRE TO SENSOR

MOUNTING
HARDWARE
INCLUDED





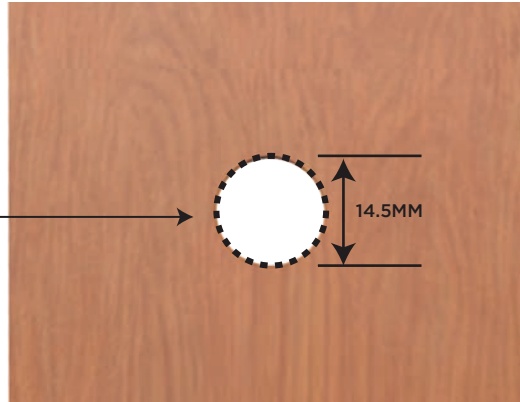
M-SENSOR-PIR-4

RECESSED PIR SENSOR FOR CLOSETS & CABINETS

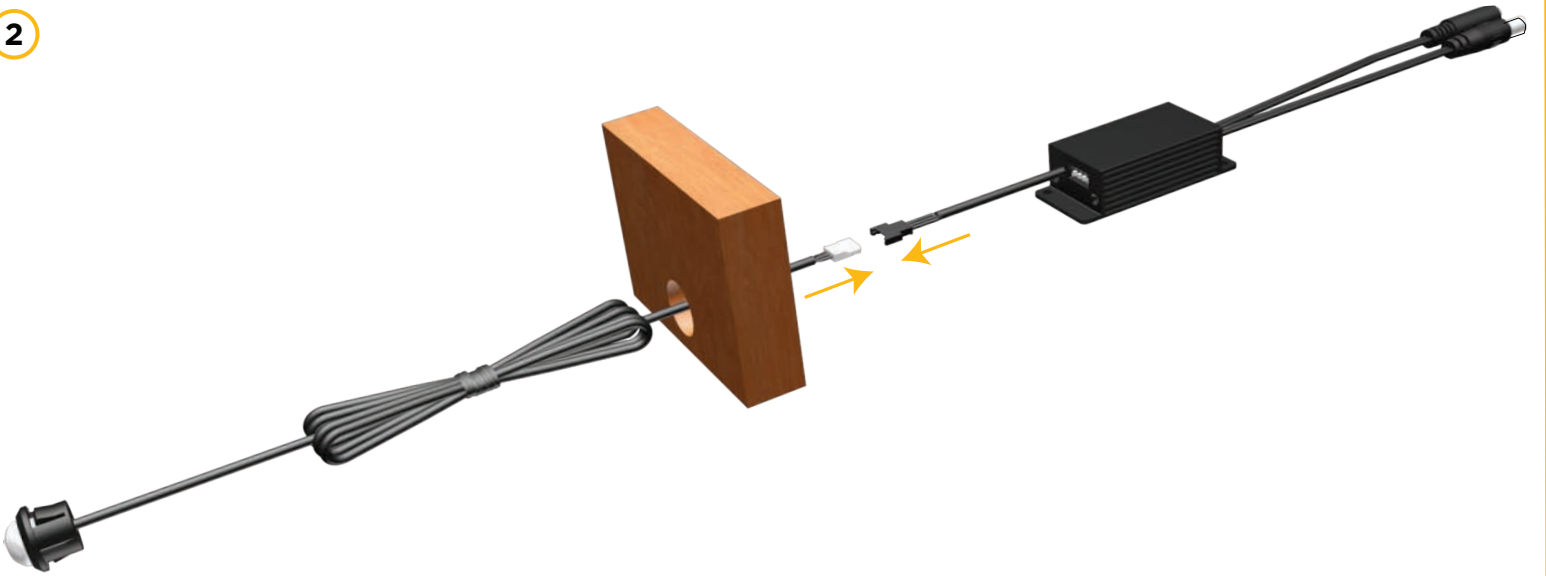
MOUNTING OPTION (WITH BRACKET): PRESSURE FIT

1

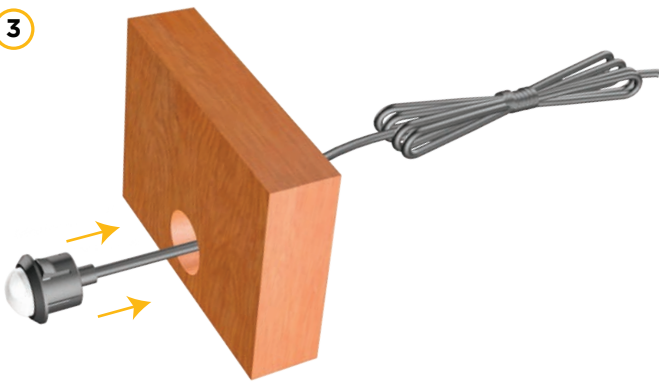
DRILL MOUNTING HOLE 15MM (0.6")



2



3



4

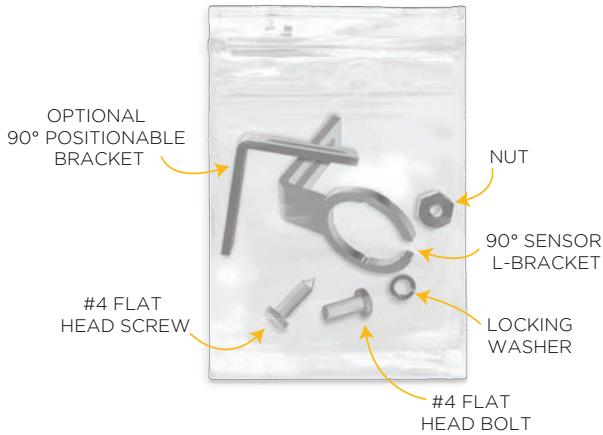




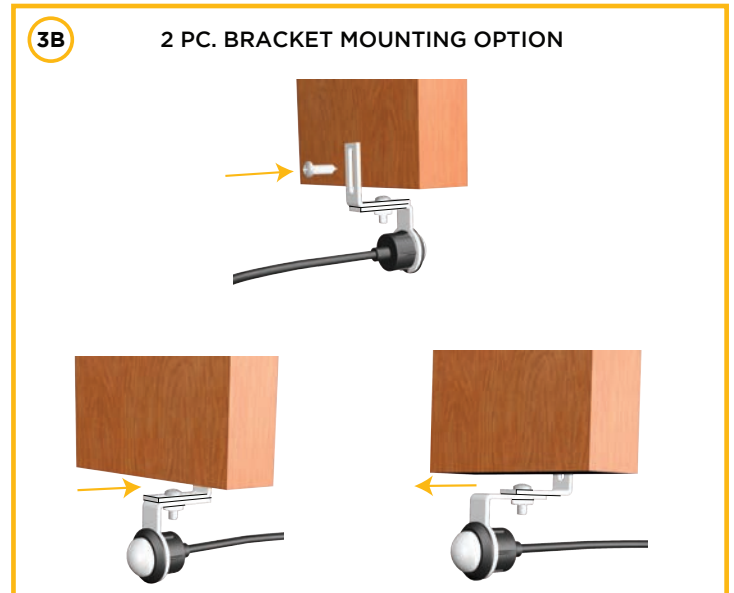
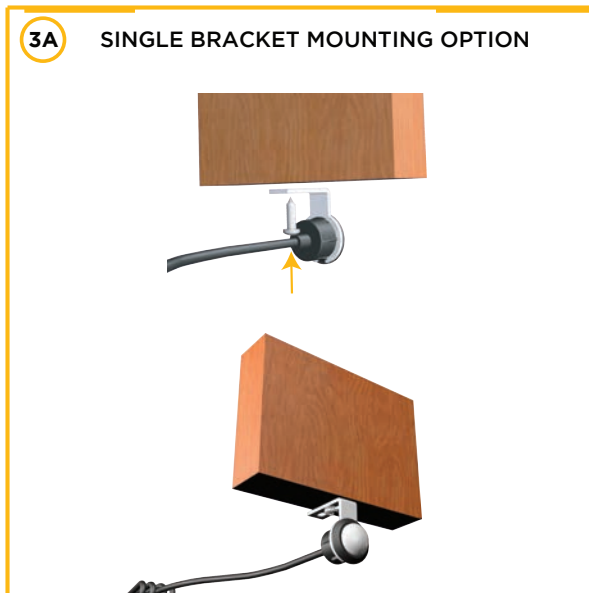
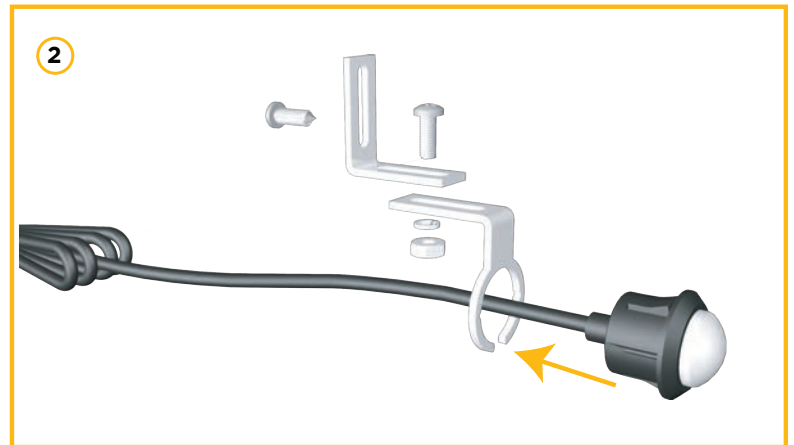
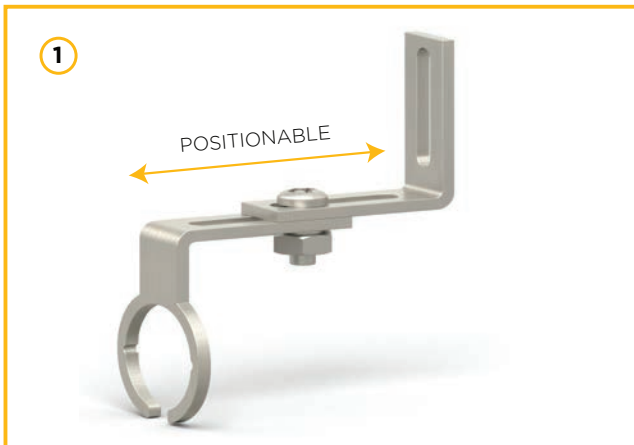
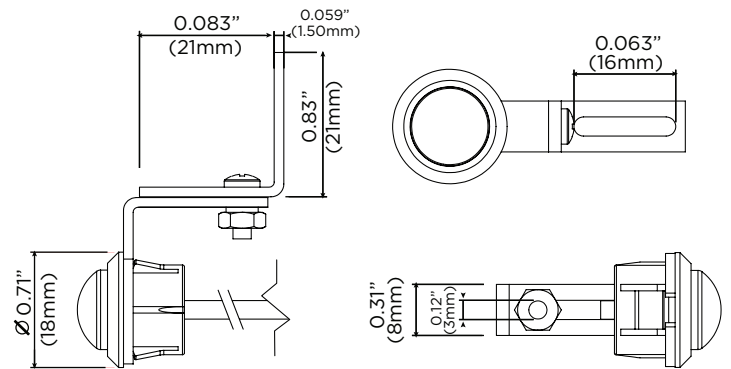
M-SENSOR-PIR-4

RECESSED PIR SENSOR FOR CLOSETS & CABINETS

MOUNTING BRACKET PACK



POSITIONABLE BRACKET MOUNT





M-SENSOR-PIR-4

RECESSED PIR SENSOR FOR CLOSETS & CABINETS

DELAY TIME SETTINGS

	4 DIP switch				4 DIP switch				4 DIP switch				4 DIP switch				4 DIP switch				
	1	2	3	4	1	2	3	4	1	2	3	4	1	2	3	4	1	2	3	4	
on					■				■	■				■	■			■	■	■	■
off	■	■	■	■		■	■	■	■		■	■	■	■		■	■	■	■		
Delay time	Unknown				15s				30s				45s				60s				

15 SECOND DELAY TIME



30 SECOND DELAY TIME



45 SECOND DELAY TIME



60 SECOND DELAY TIME

