



Shown in Brushed Copper

Features & Benefits

- Powered by Lithium cell or alkaline battery
- 90° or 180° lever rotation
- Clockwise or counter clockwise lever rotation
- All metal housing in brushed copper
- Operate with pin code
- Alarm for 4 error attempts
- Horizontal Orientation
- Right sided number pad
- External power back up
- Designated for both new and retrofit installations
- Adaptable to various materials and thicknesses

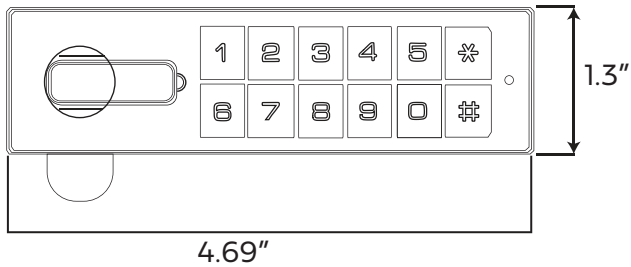
Color Options



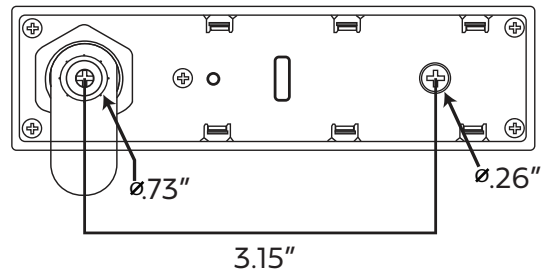
Product Information

| | | | |
|--------------------|----------------------|----------|-------------------------|
| Product Number | KD930R1BC | Warranty | 2 Years |
| Dimensions (L*W*H) | 4.69" x 1.3" x 0.19" | Battery | 3V lithium cell battery |

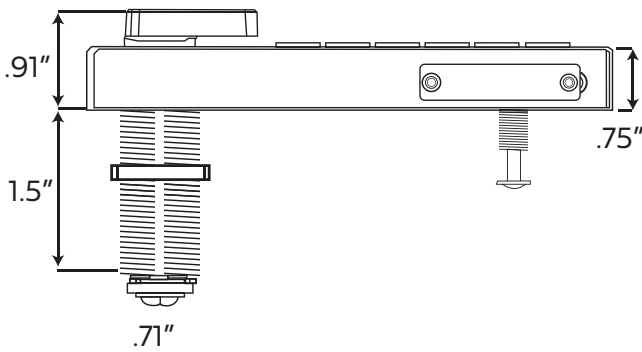
Front View



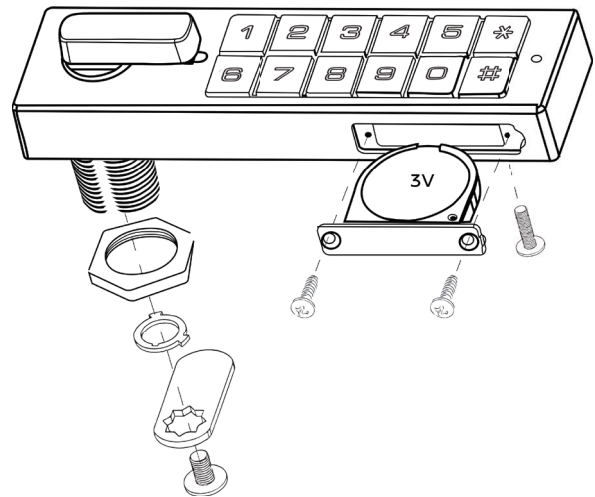
Back View



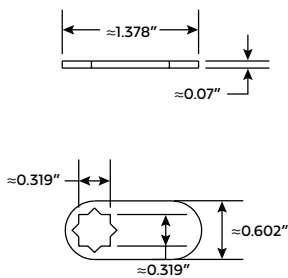
Side View



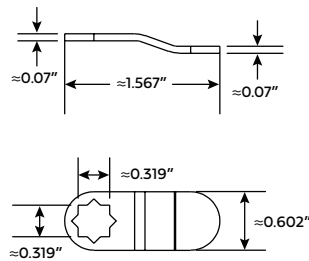
Battery View
(Disassembled)



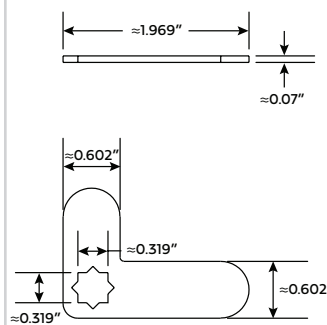
Latch Option 1



Latch Option 2



Latch Option 3



Latch Option 4

