



# M-POWER-5T/INSTA-MOUNT™ AC POWER & DATA CONNECTIVITY SOLUTION

M-POWER-5TS2-AUAYR-S2ATP-IM-1-1-4 WITH INSTA-MOUNT™ INSTALLATION SYSTEM  
NOTE: IM-1-1-4 IS FOR 1.25" THICK WOOD/MDF/(OR OTHER SUBSTRATE)

Distributed by  
**MORMAX**  
Mormax Company, Inc.  
8 Westchester Plaza  
Elmsford, NY 10523  
914-699-0101  
sales@mormax.com  
mormax.com

Metro Light & Power's line of power & data solutions offers sophisticated design elements combined with greater ease of installation. Streamlined and low-profile, enhanced by side-exiting cords, our outlets advance the industry with their cutting-edge look and feel. We believe flexibility is key, and we provide a variety of mounting options, including the ability to mount in limited spaces. Our outlets are available in many finishes and configurations, in addition to a custom color and finish capability for our clients.

Trim Plate Finish: **SATIN NICKEL (ABS)**  
*Custom Finishes Available* M-POWER-5TS2-AUAYR-S2ATP-IM-1-1-4



## Features:

### Module/Port Options:

- A** Tamper Resistant AC Receptacle
- B** USB-A & USB-C
- U** Double USB-A (Fast Charging Ports - Rated for 3.2A)
- H** HDMI
- 6** CAT 6
- 12** RJ 12
- X** Switched AC
- Y** 3-Way Switch
- C** USB-C (27W High Speed Charging Port)
- Z** USB-C (18W High Speed Charging Port)
- R** Switched AC (Rocker Switch)
- D** Dimmer Switch

### Plug:

- Supplied with Low Profile Flat 45° Angle 120 VAC Plug
- Optional Standard Straight 120 VAC Plug
- Optional Straight 120 VAC Pass-through Plug

- **CLEAN, COMPACT DESIGN**
- **STREAMLINED**
- **LOW PROFILE**
- **SIDE-EXITING CORDS**
- **PLUG & PLAY**
- **3.2A HIGH SPEED USB-A CHARGING FOR ALL DEVICES**
- **6' AC CORD & PLUG (FLAT PLUG STANDARD)**
- **CUSTOMIZABLE CONFIGURATIONS AND FINISHES**
- **15A**
- **INSTALLS WITH METRO'S PATENTED INSTAMOUNT™ INSTALLATION SYSTEM**





# M-POWER-5T/INSTA-MOUNT™ AC POWER & DATA CONNECTIVITY SOLUTION

M-POWER-5TS2-AUAYR-S2ATP-IM-1-1-4 WITH INSTA-MOUNT™ INSTALLATION SYSTEM  
NOTE: IM-1-1-4 IS FOR 1.25" THICK WOOD/MDF/(OR OTHER SUBSTRATE)

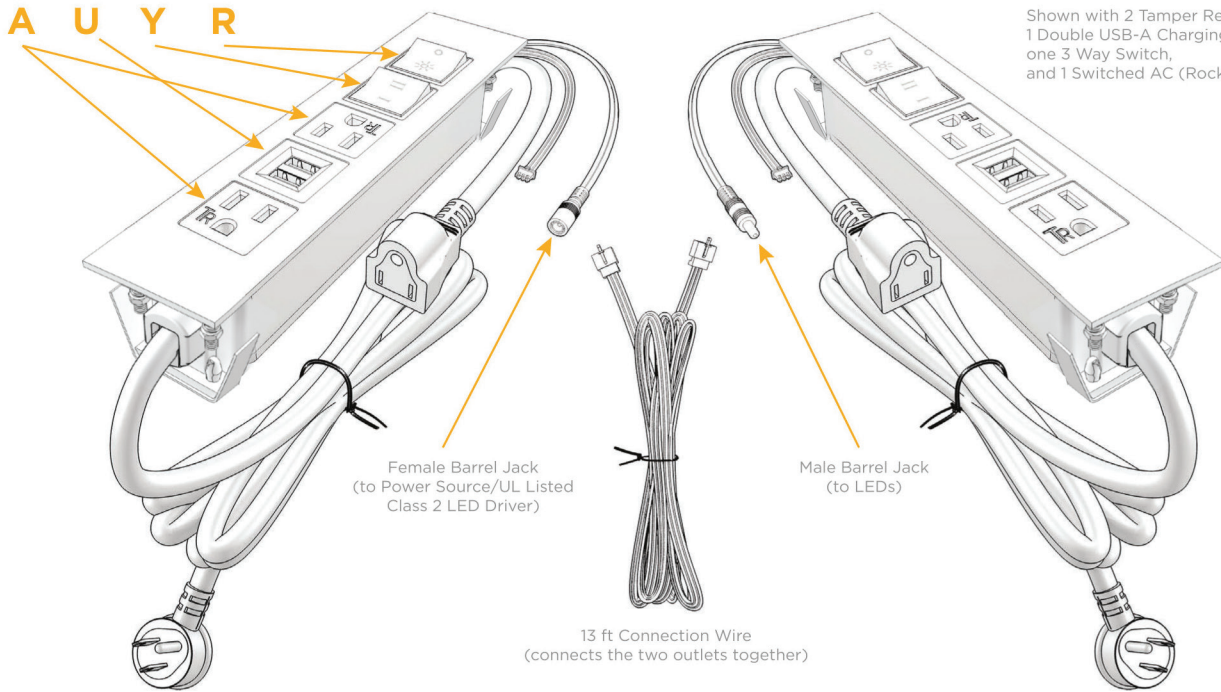
Distributed by  
**MORMAX**

Mormax Company, Inc.  
8 Westchester Plaza  
Elmsford, NY 10523

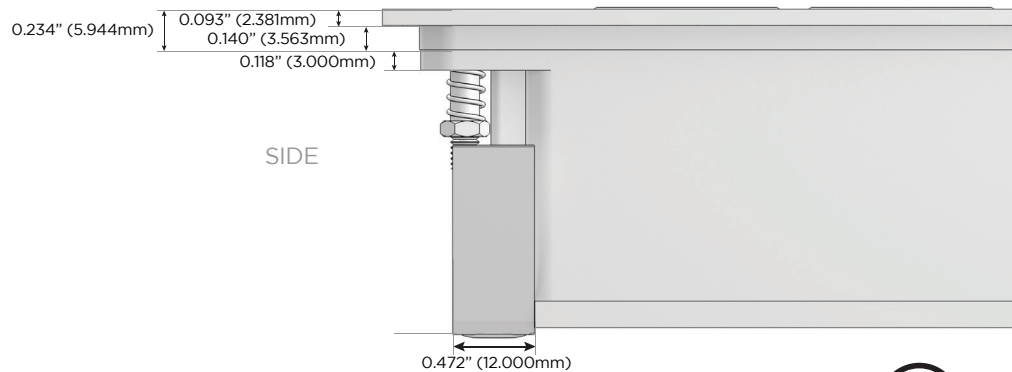
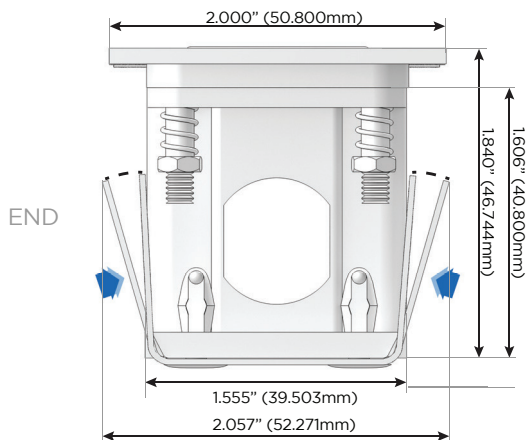
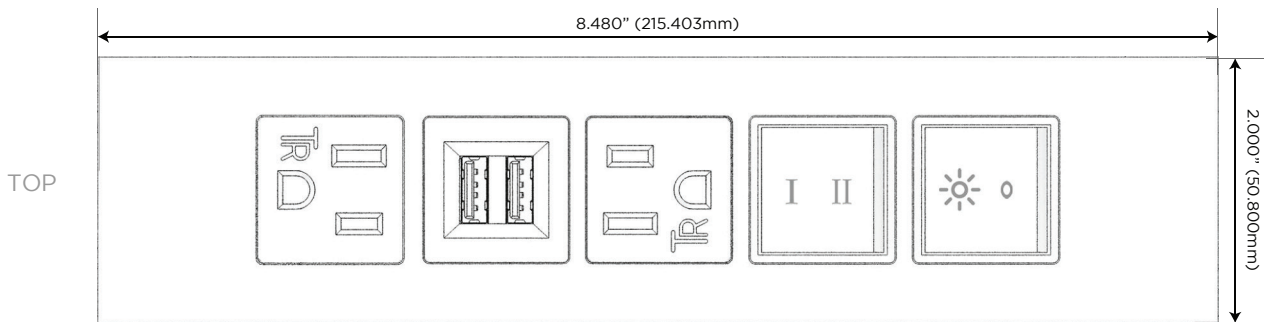
914-699-0101  
sales@mormax.com  
mormax.com

## Modules/Ports:

- A** Tamper Resistant AC Receptacle
- B** USB-A & USB-C
- Y** 3-Way Switch
- R** Switched AC (Rocker Switch)



Shown with 2 Tamper Resistant ACs,  
1 Double USB-A Charging Port,  
one 3 Way Switch,  
and 1 Switched AC (Rocker Switch).

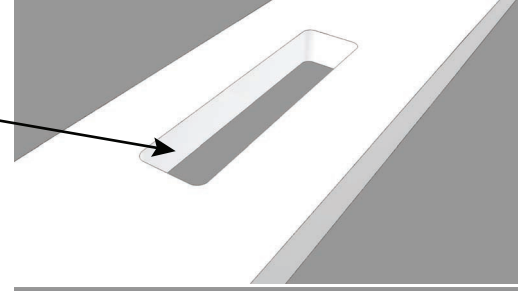
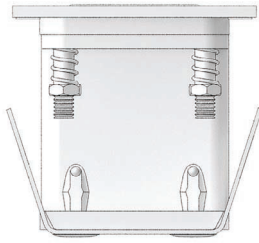


# M-POWER-5T/INSTA-MOUNT™ AC POWER & DATA CONNECTIVITY SOLUTION

M-POWER-5TS2-AUAYR-S2ATP-IM-1-1-4 WITH INSTA-MOUNT™ INSTALLATION SYSTEM  
NOTE: IM-1-1-4 IS FOR 1.25" THICK WOOD/MDF/(OR OTHER SUBSTRATE)

1

CUT HOLE

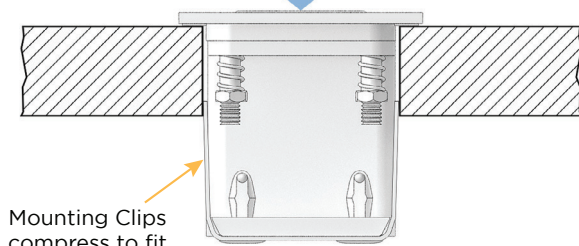
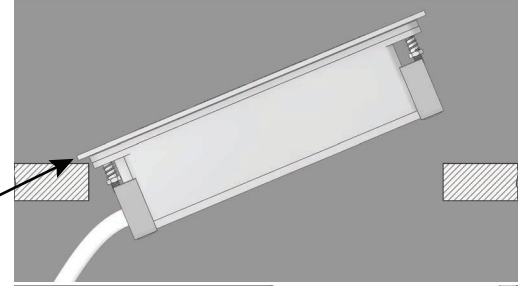


2

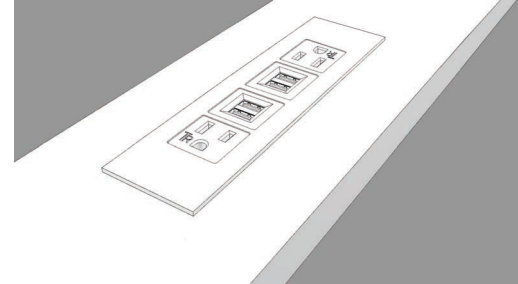
LOAD OUTLET



Insert outlet from top at an angle, with AC cord first, then push outlet to that end, and seat the rest of it.

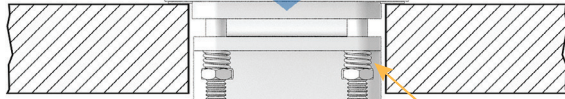


Mounting Clips compress to fit through hole.

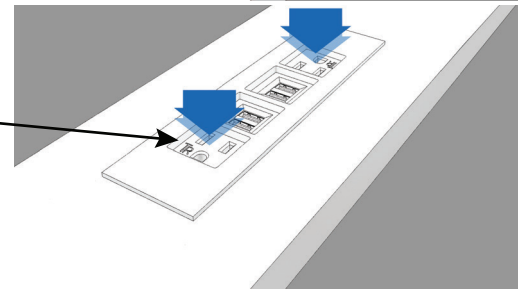


3

PRESS DOWN ON MODULE  
TO LOCK CLIPS IN PLACE



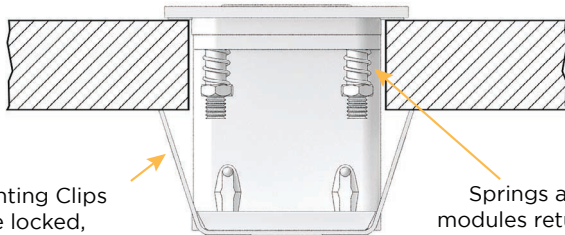
Once outlet is seated in the hole, push modules down to lock mounting clips in place.



Mounting Clips release once through.

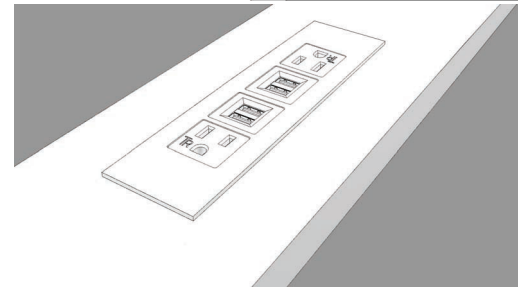
Compress Springs to allow mounting clips to open into locked position

4



Mounting Clips are locked, and outlet is secured.

Springs and modules return to normal position.

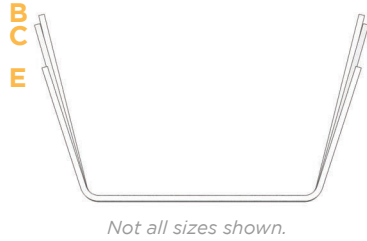


# M-POWER-5T/INSTA-MOUNT™ AC POWER & DATA CONNECTIVITY SOLUTION

M-POWER-5TS2-AUAYR-S2ATP-IM-1-1-4 WITH INSTA-MOUNT™ INSTALLATION SYSTEM  
NOTE: IM-1-1-4 IS FOR 1.25" THICK WOOD/MDF/(OR OTHER SUBSTRATE)

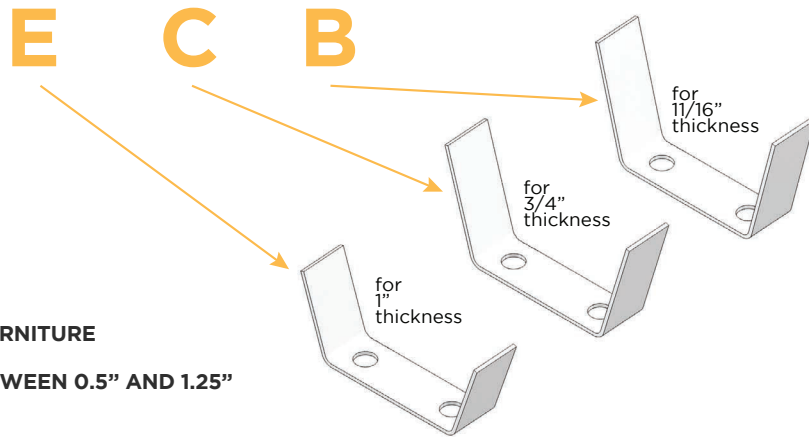
## Insta-Mount™ Spring Steel Clips:

Custom Sizes Available (fits Furniture/Wood thicknesses from 0.5" through 1.25").



Furniture Thickness	
A	1/2"
B	3/4"
C	11/16"
D	7/8"
E	1"
F	1 1/4"

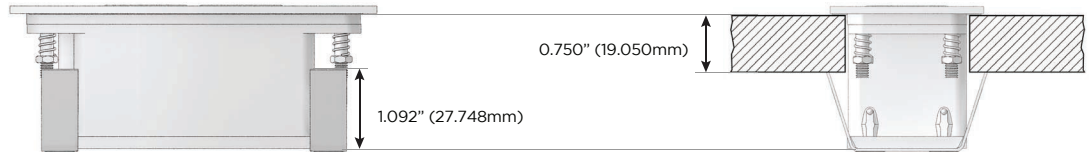
- FITS ALL SIZE OUTLETS
- SPRING STEEL CLIPS
- EASY TO INSTALL
- CUSTOM SIZES
- EASY MOUNTING
- UL LISTED FOR MOUNTING IN FURNITURE
- FOR FURNITURE THICKNESS BETWEEN 0.5" AND 1.25"



## Works with all M-POWER Slim Plate sizes (2T, 3T, 4T, and 5T):

Shown with 3/4" clips as an example.

**2T**



**3T**



**4T**



**5T**





# M-POWER-5T/INSTA-MOUNT™ AC POWER & DATA CONNECTIVITY SOLUTION

M-POWER-5TS2-AUAYR-S2ATP-IM-1-1-4 WITH INSTA-MOUNT™ INSTALLATION SYSTEM  
NOTE: IM-1-1-4 IS FOR 1.25" THICK WOOD/MDF/(OR OTHER SUBSTRATE)

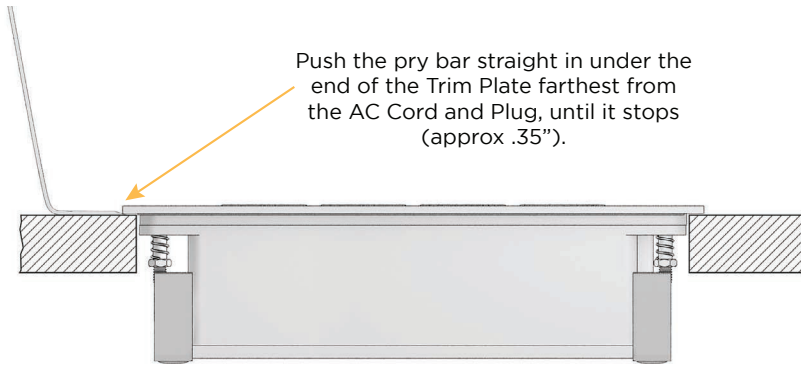
## Insta-Mount™ Removal:

Removal of the Trim Plate from furniture couldn't be easier with the Insta-Mount™ Removal System. With the use of Push Fasteners to hold the clips in place, all that is needed is a Pry Bar.

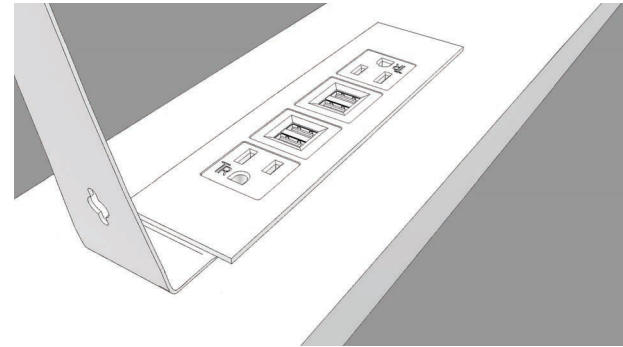


9.5" Trim/Pry Bar shown, but not included..

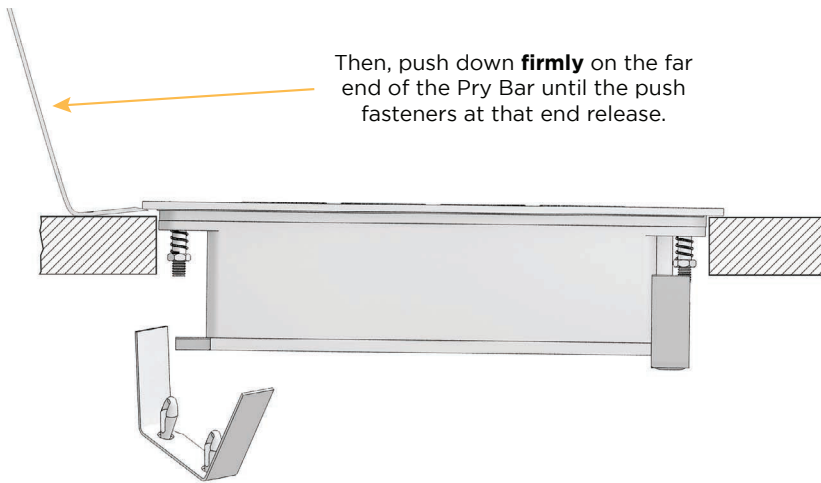
1



Push the pry bar straight in under the end of the Trim Plate farthest from the AC Cord and Plug, until it stops (approx .35").



2



Then, push down **firmly** on the far end of the Pry Bar until the push fasteners at that end release.

Repeat at the other end of the Trim plate to release the push fasteners at that end.

The outlet can then be easily removed.



# M-POWER-5T/INSTA-MOUNT™ AC POWER & DATA CONNECTIVITY SOLUTION

M-POWER-5TS2-AUAYR-S2ATP-IM-1-1-4 WITH INSTA-MOUNT™ INSTALLATION SYSTEM  
NOTE: IM-1-1-4 IS FOR 1.25" THICK WOOD/MDF/(OR OTHER SUBSTRATE)

Distributed by



Mormax Company, Inc.  
8 Westchester Plaza  
Elmsford, NY 10523

914-699-0101  
sales@mormax.com  
mormax.com



CUT HOLE IN WOOD

Rout/cut bottom of wood/stone/etc. for outlet as indicated on template labeled "ROUTING TEMPLATE".

