



M-POWER-5T

AC POWER & DATA CONNECTIVITY SOLUTION
5T-AUCD-S3STP

Distributed by

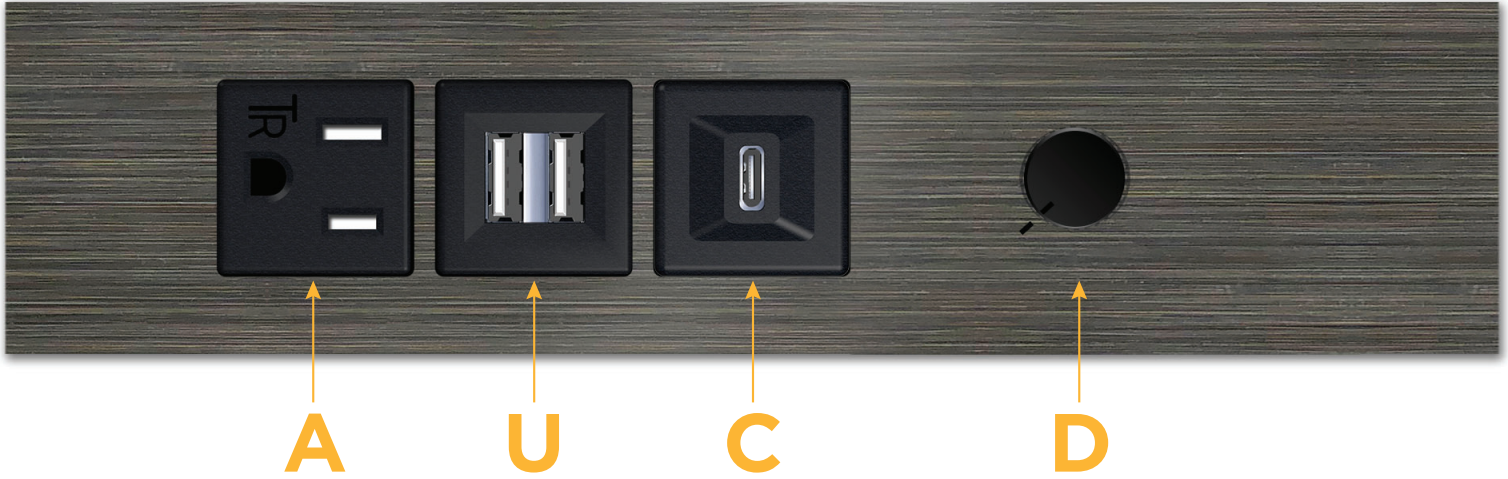


Mormax Company, Inc.
8 Westchester Plaza
Elmsford, NY 10523

914-699-0101
sales@mormax.com
mormax.com

Metro Light & Power's line of power & data solutions offers sophisticated design elements combined with greater ease of installation. Streamlined and low-profile, enhanced by side-exiting cords, our outlets advance the industry with their cutting-edge look and feel. We believe flexibility is key, and we provide a variety of mounting options, including the ability to mount in limited spaces. Our outlets are available in many finishes and configurations, in addition to a custom color and finish capability for our clients.

Plate Finish: **GUNMETAL (STEEL)**
Custom Finishes Available M-POWER-5T-AUCD-S3STP



Features:

Module/Port Options:

- A** Tamper Resistant AC Receptacle
- U** Double USB (Fast Charging Ports - Rated for 3.2A)
- H** HDMI
- 6** CAT 6
- 12** RJ 12
- X** Switched AC
- Y** 3-Way Switch
- C** USB-C (27W High Speed Charging Port)
- Z** USB-C (18W High Speed Charging Port)
- R** Switched AC (Rocker Switch)

Plug:

- Low Profile Flat 45° Angle 120 VAC Plug
- Standard Straight 120 VAC Plug

Shown in Gunmetal (Steel) Slim Plate, featuring 1 Tamper Resistant AC, 1 Double USB Charging Port, 1 USB-C Charging Port, and 1 AC Dimmer.

- **CLEAN, COMPACT DESIGN**
- **STREAMLINED**
- **LOW PROFILE**
- **SIDE-EXITING CORDS**
- **PLUG & PLAY**
- **3.2A HIGH SPEED USB-A CHARGING FOR ALL DEVICES**
- **27W USB-C FAST-CHARGING FOR ALL DEVICES**
- **6' AC CORD & PLUG (FLAT PLUG STANDARD)**
- **CUSTOMIZABLE CONFIGURATIONS AND FINISHES**
- **ETL LISTED (IN COMPLIANCE WITH UL 962A)**
- **15A**
- **0% TO 100% DIMMING**



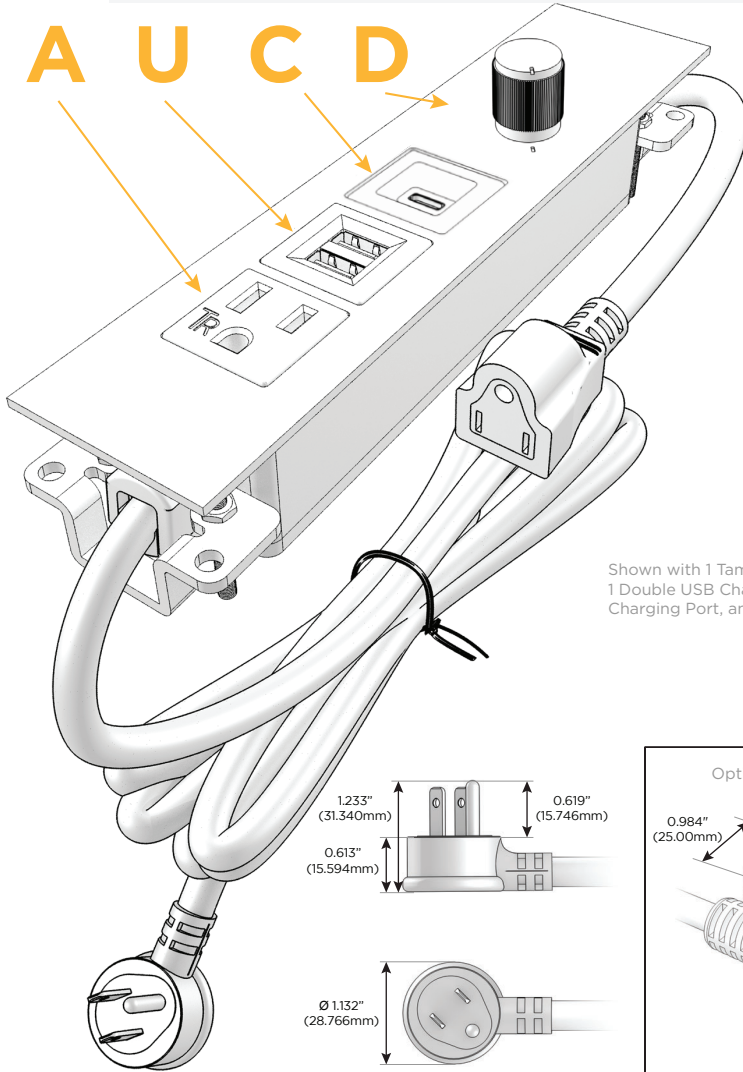
M-POWER-5T

AC POWER & DATA CONNECTIVITY SOLUTION
5T-AUCD-S3STP

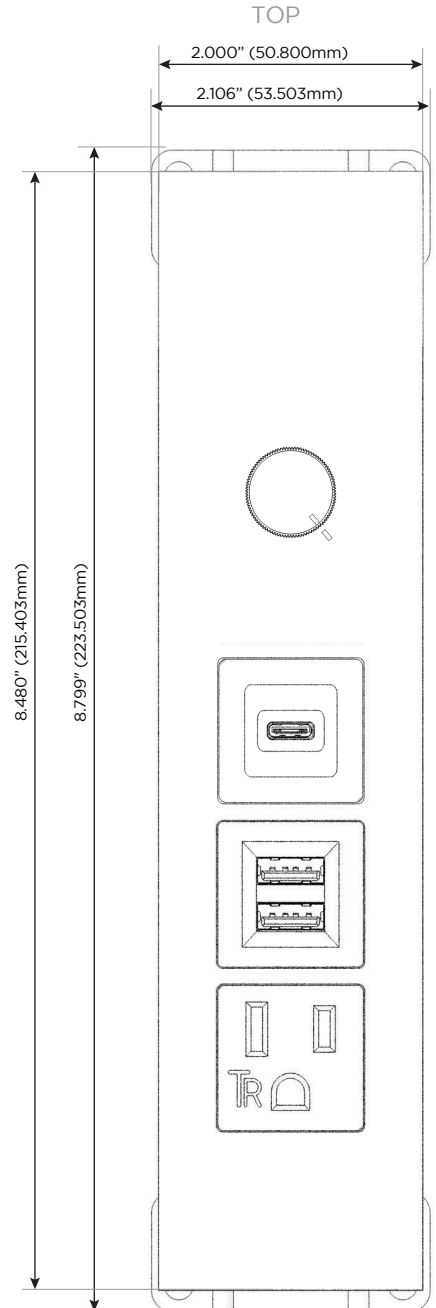
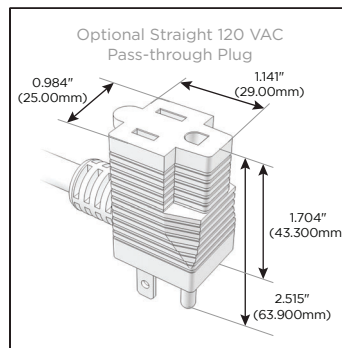
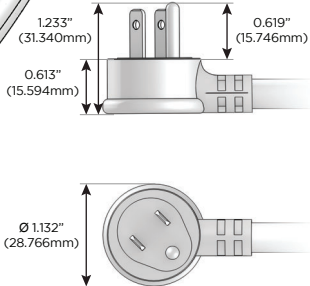
Specs:

Modules/Ports:

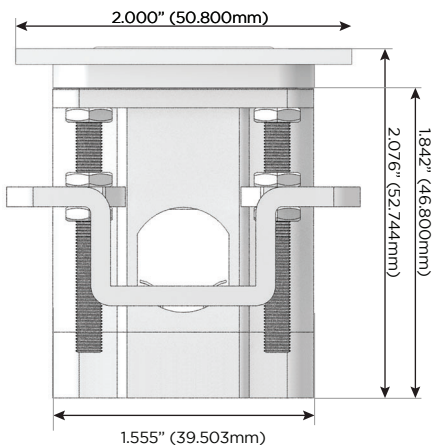
- A** Tamper Resistant AC Receptacle
- U** Double USB (Fast Charging Ports - Rated for 3.2A)
- C** USB C (High Speed Charging Port)
- D** AC Dimmer



Shown with 1 Tamper Resistant AC, 1 Double USB Charging Port, 1 USB-C Charging Port, and 1 AC Dimmer.



END



SIDE

